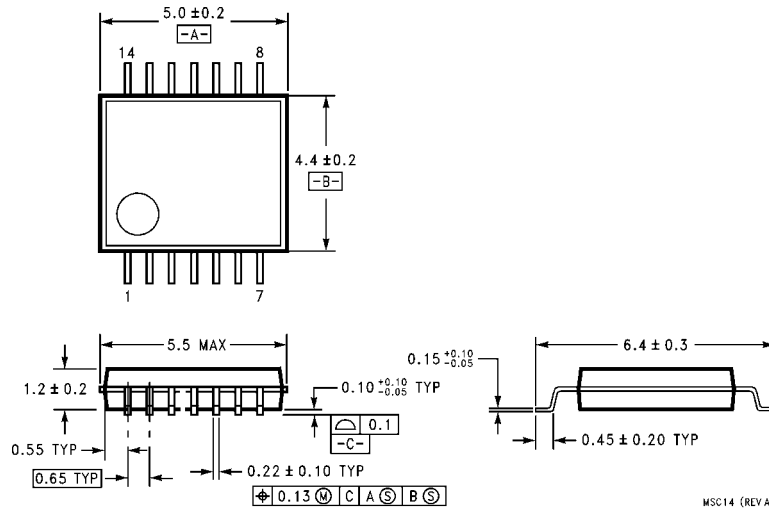


Package MSC14



**14-Lead Shrink Small Outline Package (SSOP), EIAJ TYPE I, 4.4mm Wide
Package Number MSC14**