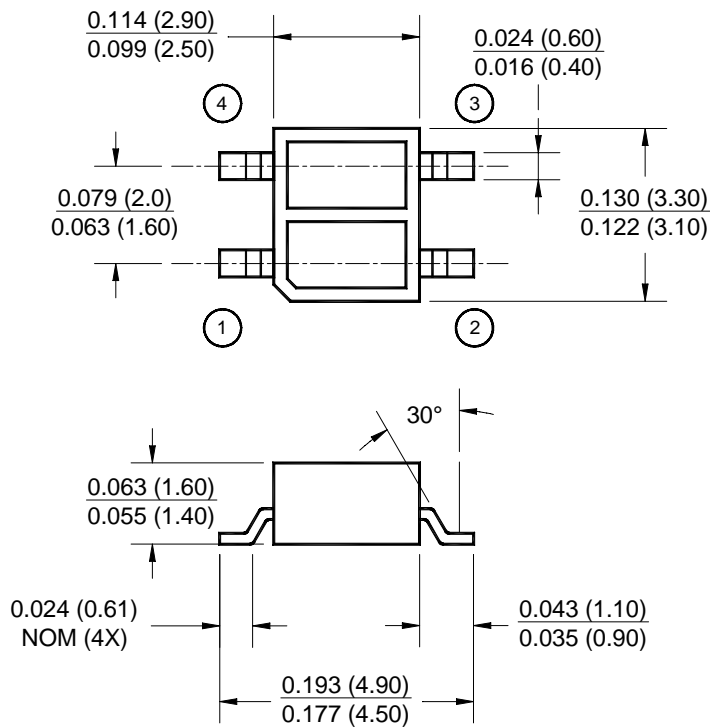


REFLECTIVE NON FOCUSING SENSOR SURFACE MOUNT



PIN 1 ANODE PIN 3 COLLECTOR
PIN 2 CATHODE PIN 4 EMITTER