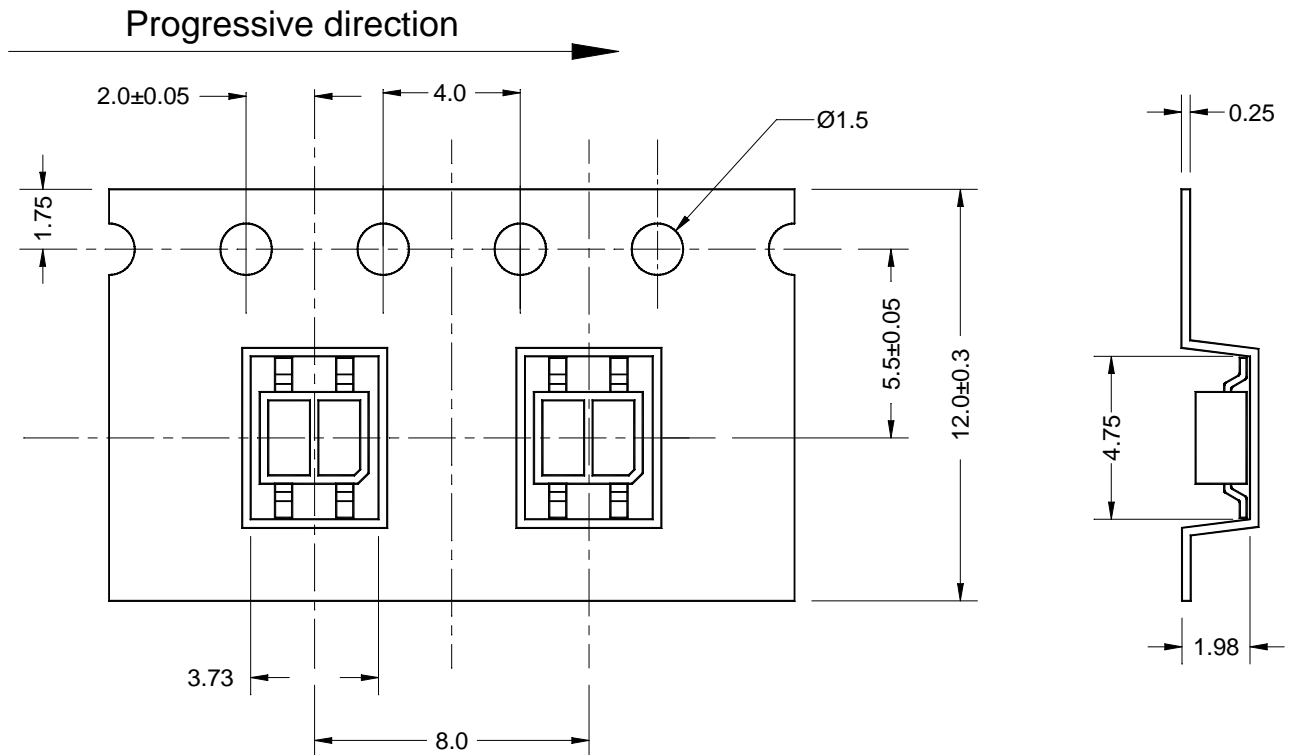
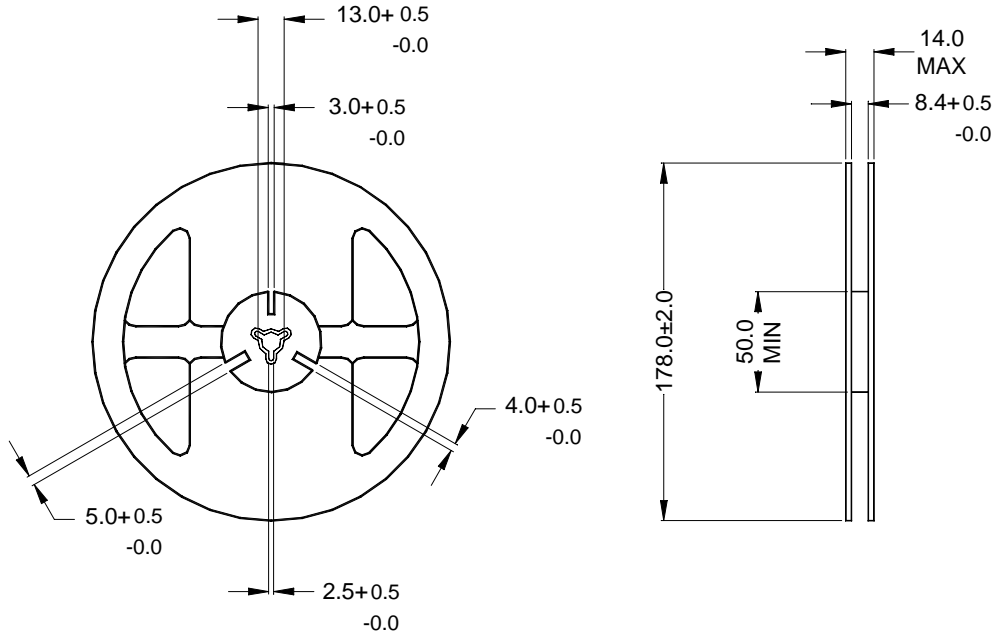


# REFLECTIVE NON FOCUSING SENSOR SURFACE MOUNT

**FAIRCHILD**  
SEMICONDUCTOR®

## TAPE AND REEL



Dimensional tolerance is  $\pm 0.1$ mm unless otherwise specified

Angle:  $\pm 0.5$

Unit: mm