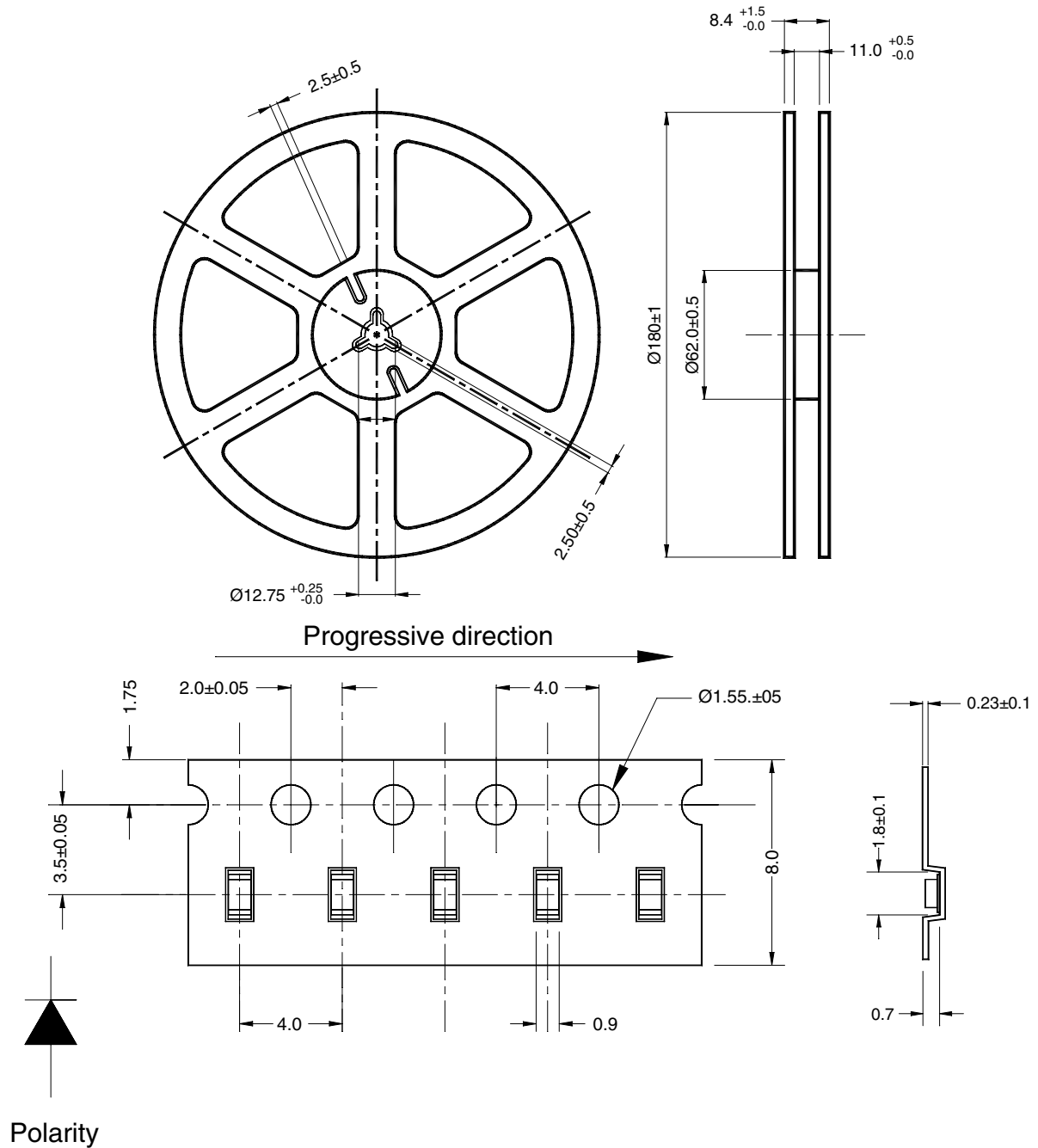


**TAPE AND REEL SPECIFICATIONS  
0603 PACKAGE (0.6MM HEIGHT)**



**TAPE DIMENSIONS**



1. Dimensional tolerance is  $\pm 0.1$  mm unless otherwise specified.
2. Angle:  $\pm 0.5$
3. All dimensions on this page are in millimeters.