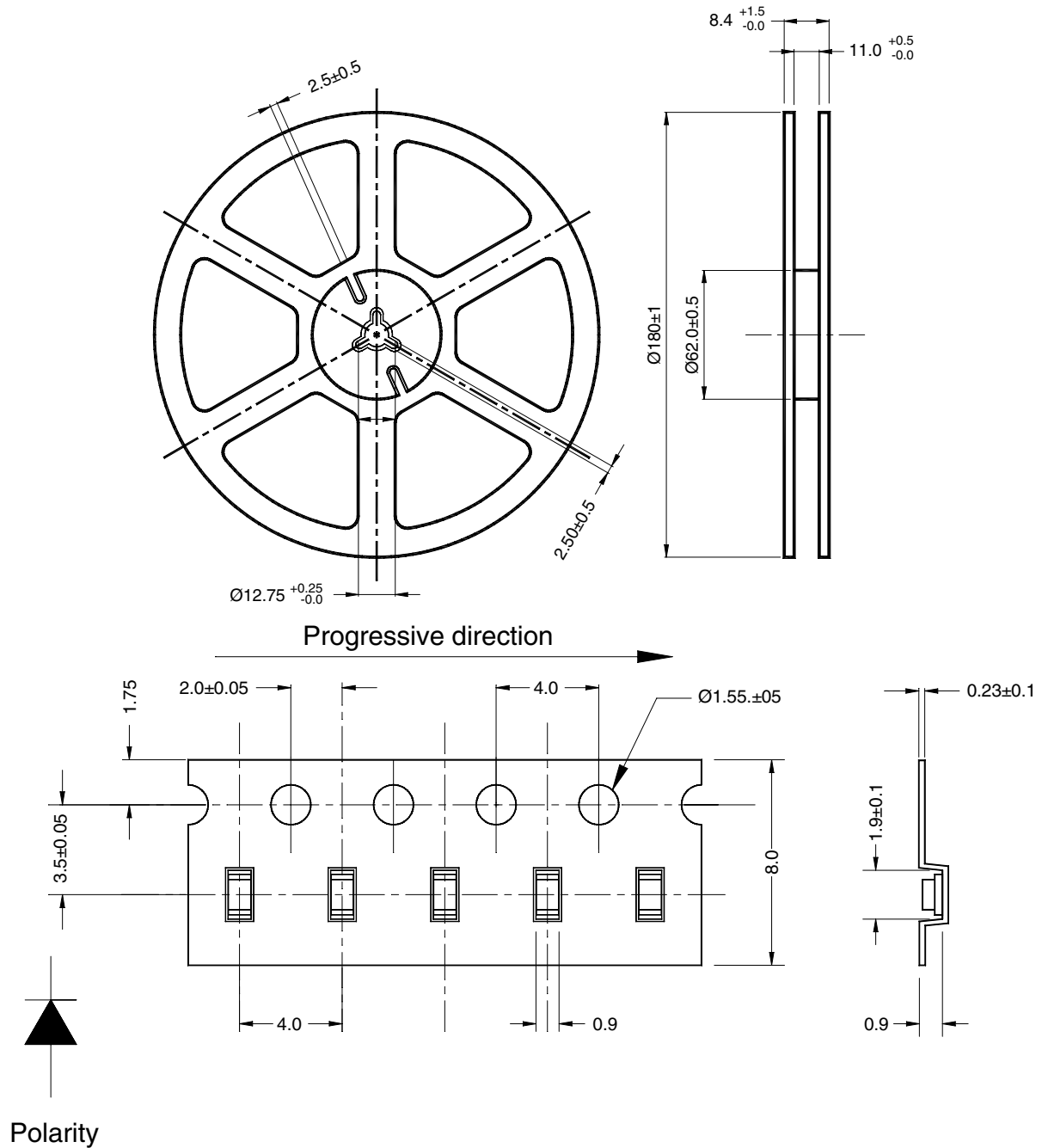


**TAPE AND REEL SPECIFICATIONS
0603 PACKAGE (0.8MM HEIGHT)**



TAPE DIMENSIONS



1. Dimensional tolerance is ± 0.1 mm unless otherwise specified.
2. Angle: ± 0.5
3. All dimensions on this page are in millimeters.