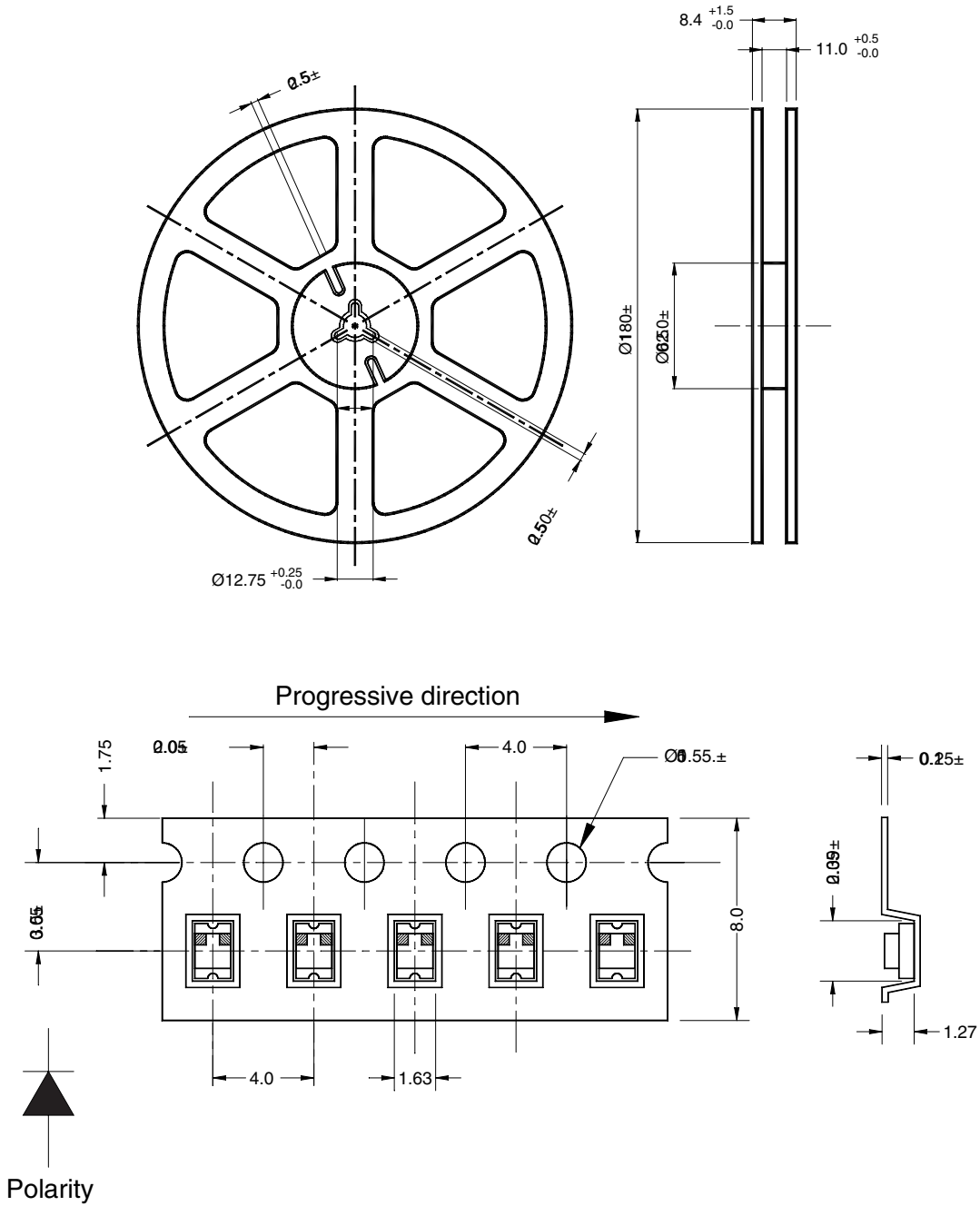


**TAPE AND REEL SPECIFICATIONS  
0805 PACKAGE**



**TAPE DIMENSIONS**



1. Dimensional tolerance is  $\pm 0.1\text{mm}$  unless otherwise specified.
2. Angle:  $\pm 0.5$
3. All dimensions on this page are in millimeters.