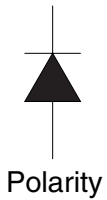
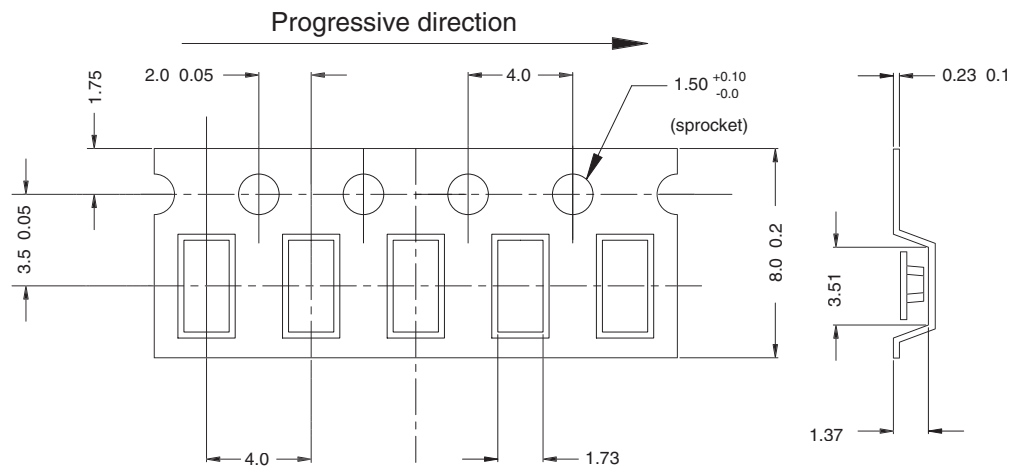
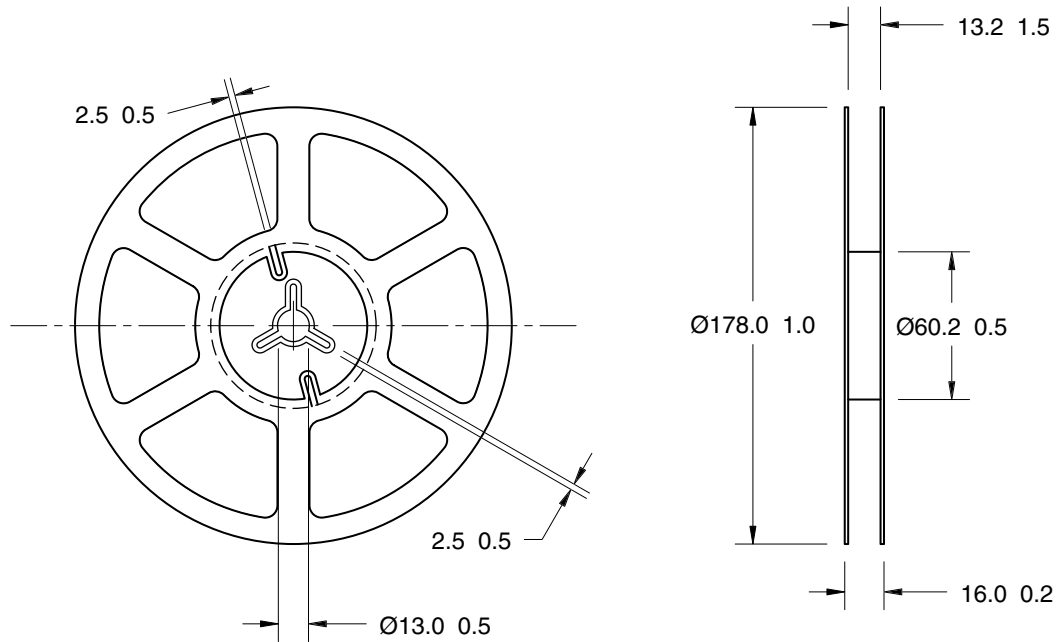


**TAPE AND REEL SPECIFICATIONS
1206 REVERSE MOUNT PACKAGE**



TAPE DIMENSIONS



1. Dimensional tolerance is ± 0.1 mm unless otherwise specified.
2. Angle: ± 0.5
3. All dimensions on this page are in millimeters.
4. Polarity marks on the sprocket side.